

# Automatic vessel control in stormy conditions

<https://doi.org/10.31713/MCIT.2021.21>

Vadym Mateichuk, Serhii Zinchenko, Oleh  
Tovstokoryi, Pavlo Nosov and Yaroslav  
Nahrybelnyi  
Navigation faculty  
Kherson State Maritime Academy  
Kherson, Ukraine

Ihor Popovych  
Department of Psychology,  
Kherson State University  
Kherson, Ukraine

Vitaliy Kobets

Chair of Informatics, Software Engineering and Economic Cybernetics  
Kherson State University  
Kherson, Ukraine

**Abstract** — Vessel control in a storm is the most difficult stage in the vessel voyage, as it requires quick decisions to be made in difficult conditions. Practical experience shows that the deterioration of the working conditions of the crew is usually associated with increase in the number of control mistakes [1]. The article examines the possibility of automatic control of a vessel in a stormy conditions by automatic calculation in the on-board controller of the vessel optimal safe speed and course during a storm. This allowed to significantly increase the accuracy of calculations, to exclude the human factor, to reduce the depletion of the crew, to increase the reliability of the vessel control in a storm. The efficiency and effectiveness of the method, algorithmic and software were tested on Imitation Modeling Stand in a closed loop with mathematical vessel models of the navigation simulator Navi Trainer 5000.

**Keywords** — Automatic control; Closed loop systems; Control system synthesis; Motion control; Steering systems.

## I. INTRODUCTION

In ancient times and the Middle Ages, vessel control in a storm was performed in such a way as to coordinate their actions with the actions of the element and not to contradict it. With the advent of the sail, active vessel control methods emerged.

The seaworthiness of modern ships, their speed and size have changed a lot. The range of their possible applications has also expanded. For example, in articles [2–9], recommendations for control a modern ship in a storm are considered.

To facilitate the task of a vessel control in storm, a number of scientists have proposed special diagrams for choosing the course and speed in storm conditions.

The most widespread is the universal diagram of the Yu.V. Remez, which allows to determine unfavorable combinations of velocity and course angles of waves (resonant zones) for any vessel and any wavelength  $\lambda$  and choose a safe speed and course of the vessel outside the resonance zone.

The use of automatic control systems of the vessel allows to significantly reduce the impact of the human factor and increase the safety of navigation [19–35], especially in difficult sailing conditions.

This paper proposes an automatic storm system, which does not have disadvantages of manual control, namely: the automatic storm system uses specialized equipment to measure the parameters of the wave; measurement of vessel motion parameters and excitation parameters, as well as their processing and formation of controls is automatic and constant, which allows to constantly monitor any changes in vessel motion and wave parameters; software always calculates the correct result and can work in any stormy conditions; moreover, unlike manual storming, the problem can be solved optimally. Therefore, the development of the vessel automatic storm system is an urgent scientific and technical task.

It is required to develop an automatic control system that would ensure safe sailing in stormy conditions without operator intervention [36–48].

## II. RESEARCH RESULTS

Pitching and rolling of the vessel are excited by forced oscillations of waves. Conditional period of waves  $\tau(n)$  depends on the wave length  $\lambda$ , vessel speed  $V(n)$  and the course angle of the wave  $q(n)$  – the angle between the waves direction and the vessel diametrical plane

$$\tau(n) = \frac{\lambda}{1.25\sqrt{\lambda} + 0.514V(n)\cos q(n)}. \quad (1)$$

Particularly dangerous is the case of resonant oscillation, in which the period of free oscillations of the vessel coincides with the period of forced oscillations or close to it.

$$0,7 \leq \frac{T_B}{\tau(n)} \leq 1,3, \quad (2)$$

$$0,7 \leq \frac{T_L}{\tau(n)} \leq 1,3. \quad (3)$$

Inequalities (2), (3) determine the resonance zone  $\Omega$  for the rolling and pitching respectively. The task control in the storm is to create such conditions for the movement of the vessel, under which inequalities (2)–(3) are not fulfilled.

To determine the resonance zone  $\Omega$ , from inequalities (2), (3), taking into account (1), we find

$$e(n) \cos q(n) \geq \frac{1}{V_{\max}} \left( 1,42 \frac{\lambda}{T_B} - 2,31\sqrt{\lambda} \right), \quad (4)$$

$$e(n) \cos q(n) \leq \frac{1}{V_{\max}} \left( 2,64 \frac{\lambda}{T_B} - 2,31\sqrt{\lambda} \right), \quad (5)$$

$$e(n) \cos q(n) \geq \frac{1}{V_{\max}} \left( 1,42 \frac{\lambda}{T_L} - 2,31\sqrt{\lambda} \right), \quad (6)$$

$$e(n) \cos q(n) \leq \frac{1}{V_{\max}} \left( 2,64 \frac{\lambda}{T_L} - 2,31\sqrt{\lambda} \right). \quad (7)$$

Fig. 1 shows the range of the vessel reduced speed  $\mathbf{e} = \frac{\mathbf{V}}{V_{\max}} \leq 1$ , the resonant zone (shaded) and non-resonant zones  $\Omega_1, \Omega_2$  for wave length  $\lambda = 230 m$ .

Define the control quality function as follows

$$Q = (e(n) \cos q(n) - e(n-1) \cos q(n-1))^2 + (e(n) \sin q(n) - e(n-1) \sin q(n-1))^2, \quad (8)$$

where  $e(n) = \frac{V(n)}{V_{\max}}$  is the safe reduce speed in a storm

(p.4),  $e(n-1) = \frac{V(n-1)}{V_{\max}}$  is the actual reduce speed in a storm (p.1),  $q(n), q(n-1)$  is the safe wave angle and actual wave angle, respectively.

Thus, the safe speed and course calculation unit determines the optimal pair of parameters  $\{e(n), q(n)\}$  by minimizing the control quality function (4), in the presence of constraints (1)–(3) and  $e(n)_{\min} \leq e(n) \leq e(n)_{\max}^{st}$ . Since the quality function (4) is smooth, to solve this optimization problem with linear and nonlinear constraints, we used the standard gradient optimization procedure `fmincon` of the MATLAB Optimization Toolbox library

`y=fmincon(@myfun,y0,A,b,Aeq,beq,lb,ub,@mycon)`

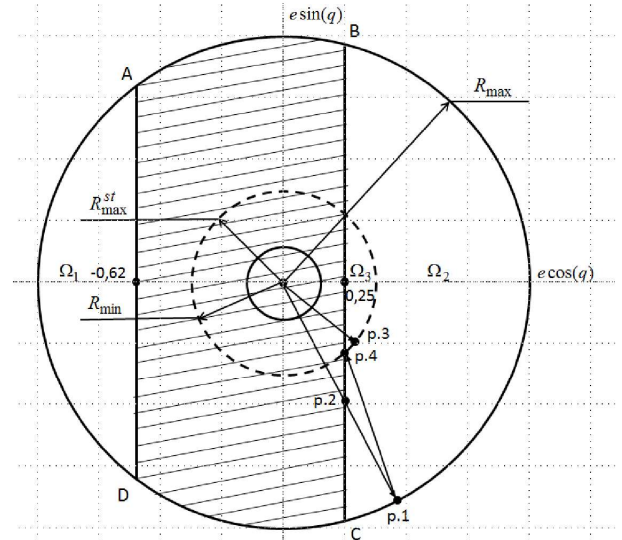


Figure. 2. The range of the vessel reduced speed, resonant (shaded) and non-resonant  $\Omega_1, \Omega_2$  zones

The operability and efficiency of the method, algorithmic and software are tested at the Imitation Modeling Stand [49, 50].

Fig. 2 shows graphs of changes in roll angle, trim angle, speed and course of the vessel with automatic control of the vessel Ro-Ro passenger ferry 13 in a storm. Initial course of the vessel is  $K(0) = 75^\circ$ , initial speed is  $V(0) = 18,5 kn.$ , initial sea disturbance is 2 points. The vessel, moving the course  $K(n) = 75^\circ$ , accelerates to speed  $V(n) = 19 kn.$ , after which the simulator is set to sea disturbance 11 points. As can be seen from the graphs, during the storm the speed of the vessel begins to decrease to  $V(n) = 7 kn.$  At the same time, the automatic storm system begins to change course from  $K(n-1) = 75^\circ$  to safe b to exit the resonance zone. In Fig. 1 this corresponds to the movement from p. 1 to p. 4.

### III. CONCLUSIONS

The scientific novelty of the obtained results is that for the first time theoretically substantiated design features of the original system of automatic control of the vessel in a storm, which consist in constant, with the onboard controller cycle, automatic measurement of vessel and wave motion parameters, automatic calculation outside resonant zones, taking into account resonant zone boundaries, minimum vessel speed and maximum vessel speed in a storm, automatic selection of safe optimal motion parameters from outside resonant zones according to the specified criterion of optimality, automatic maintenance of safe optimum parameters of movement in a storm, and provide fundamentally new technical characteristics: the ability to automatically control the vessel in a storm, reduce depletion of the vessel's crew when sailing in difficult conditions, increase the accuracy and reliability of the vessel control in a storm, which determine its advantages over known solutions.

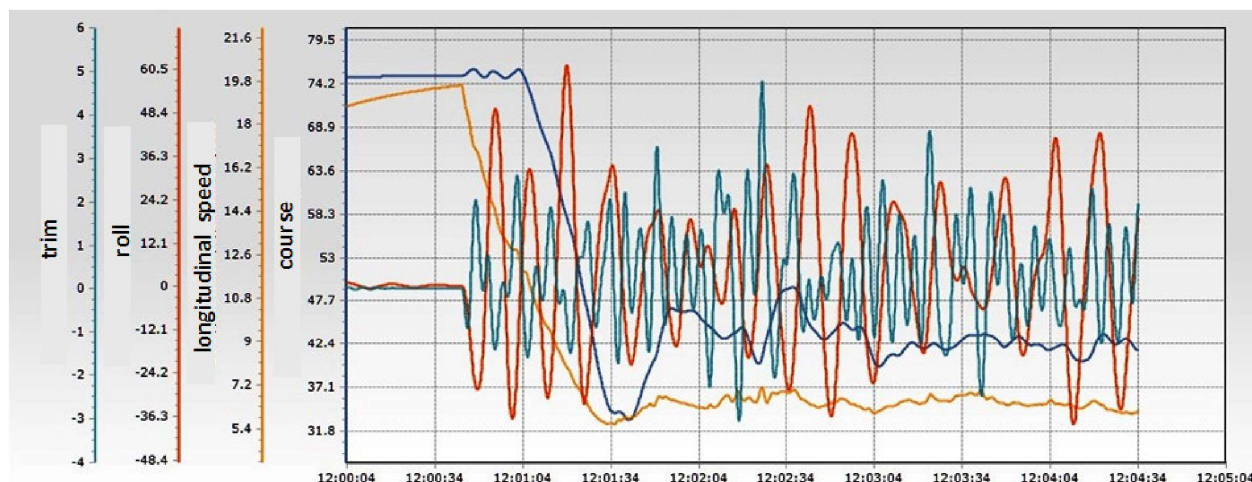


Figure 2. Automatic control of the vessel Ro-Ro passenger ferry 13 in a storm

The practical value of the obtained results is that the developed method and algorithms are implemented in the software of the vessel automatic storm system and investigated by mathematical modeling on the imitation modeling stand in a closed loop with vessel mathematical models for different types of vessel, sailing areas and meteorological conditions.

#### ACKNOWLEDGMENT

The work was carried out in the framework of the research “Development of software solutions for dynamic functions of dynamically positioning systems of marine vessels”, (state registration number 0119U100948), Department of Navigation and Electronic Navigation Systems of Kherson State Maritime Academy.

#### REFERENCES

- [1] Popovych, I., Blynova O., Nass Álvarez, Juan Luis, Nosov, P., Zinchenko S. (2021). A historical dimension of the research on social expectations of an individual. *Revista Notas Históricas y Geográficas*, Número 27 Julio-Diciembre. 190–217. <https://www.revistanotashistoricasygeograficas.cl/index.php/nh/article/view/365>
- [2] Guidance to the master for avoiding dangerous situations in following and quartering seas, IMO MSC/Circ.707. Ref. T1/2.04/ (1995).
- [3] Revised guidance to the master for avoiding dangerous situations in adverse weather and sea conditions, IMO MSC.1/Circ.1228 (2007).
- [4] Recommendation on intact stability for passenger and cargo ships under 100 meters in length, IMCO RESOLUTION A.167 (ES.IV) adopted on 28 November 1968.
- [5] Recommendation on a severe wind and rolling criterion (weather criterion) for the intact stability of passenger and cargo ships of 24 meters in length and over, IMO RESOLUTION A.562(14) adopted on 20 November 1985.
- [6] Takuzo, Okada. (2019). *Marine Weather Ship Handling in Rough Sea*. Japan P&I Club. P&I Loss Prevention Bulletin 45, 100 p.
- [7] Ships navigation in heavy weather and recommended action by master, *Ship Business. Ocean going cargo ships safety & operational matters* (2015). URL: <http://shipsbusiness.com/navigation-in-heavy-weather.html>.
- [8] Wankhede, “What to do when ship encounters rough weather?”, *Marine sight*, 2019. URL: <https://www.marineinsight.com/marine-safety/what-to-do-when-ship-encounters-rough-weather>.
- [9] How to a sail safety in a storm, North Sails, 2016. URL: <https://www.northsails.com/sailing/en/2016/09/how-to-sail-safely-through-a-storm>.
- [10] Zinchenko, S., Tovstokoryi, O., Ben, A., Nosov, P., Popovych, I., Nahrybelnyi, Ya. (2021). Automatic optimal control of a vessel with redundant structure of executive devices. In: Babichev, S., Lytvynenko, V. (eds) *Lecture Notes in Computational Intelligence and Decision Making. ISDMCI 2021. Lecture Notes on Data Engineering and Communications Technologies*, vol 77. P. 266–281, Springer, Cham. URL: [https://link.springer.com/chapter/10.1007/978-3-030-82014-5\\_18](https://link.springer.com/chapter/10.1007/978-3-030-82014-5_18)
- [11] Mamenko, P., Zinchenko, S., Kobets, V., Nosov, P., Popovych, I. (2021). Polupov, I. (2021). Solution of the Problem of Optimizing Route with Using the Risk Criterion. In: Babichev, S., Lytvynenko, V. (eds) *Lecture Notes in Computational Intelligence and Decision Making. ISDMCI 2021. Lecture Notes on Data Engineering and Communications Technologies*, 77, 252–265, Springer, Cham. URL: [https://doi.org/10.1007/978-3-030-82014-5\\_17](https://doi.org/10.1007/978-3-030-82014-5_17)
- [12] Popovych, I., Halian I., Halian O., Nosov P., Zinchenko S., Panok V. (2021). Research on personality determinants of athletes' mental exhaustion during the ongoing COVID-19 pandemic. *Journal of Physical Education and Sport (JPES)*, 21 (4), Art.224. 1769–1780. DOI: 10.7752/jpes.2021.04224
- [13] Nosov, P., Zinchenko, S., Ben, A., Prokopchuk, Yu., Mamenko, P., Popovych, I., Moiseienko, V., Kruglyj, D. (2021). Navigation safety control system development through navigator action prediction by data mining means // *Eastern-European Journal of Enterprise Technologies. Information and controlling system*, 2, 9 (110). DOI: <https://doi.org/10.15587/1729-4061.2021.229237>
- [14] Ihor Popovych, Olena Blynova, Pavlo Nosov, Serhii Zinchenko, Oksana Kononenko. Psychological factors of competitiveness of the women's youth handball team/ *Journal of Physical Education and Sport (JPES)*, Vol.21(1), Art 30, pp. 227–235, January 2021. DOI: 10.7752/jpes.2021.01030.
- [15] Zinchenko, S., Moiseienko, V., Tovstokoryi, O., Nosov, P., Popovych, I. (2021). Automatic Beam Aiming of the Laser Optical Reference System at the Center of Reflector to Improve the Accuracy and Reliability of Dynamic Positioning. In: Hu, Z., Petoukhov, S., Dychka, I., He, M. (eds) *Advances in Computer Science for Engineering and Education IV. ICCSEE 2021. Lecture Notes on Data Engineering and Communications Technologies*, 83. Springer, Cham. URL: [https://doi.org/10.1007/978-3-030-80472-5\\_1](https://doi.org/10.1007/978-3-030-80472-5_1)
- [16] Zinchenko, S., Tovstokoryi, O., Nosov, P., Popovych, I., Kobets, V., Abramov, G. (2020). Mathematical support of the vessel information and risk control systems // *CEUR Workshop Proceedings*, 2805, 335–354. URL: <http://ceur-ws.org/Vol-2805/paper25.pdf>

- [17] Popovych, I., Zavatskiy, V., Tsiuniak, O., Nosov, P., Zinchenko, S., Mateichuk, V., Zavatskiy, Yu., Blynova, O. Research on the Types of Pre-game Expectations in the Athletes of Sports Games. *Journal of Physical Education and Sport*, 20(1), 43–52. DOI:10.7752/jpes.2020.01006 <http://efsupit.ro/images/stories/ianuarie2020/Art%206.pdf>.
- [18] Nosov, P., Ben, A., Zinchenko, S., Popovych, I., Mateichuk, V., Nosova, H. (2020). Formal approaches to identify cadet fatigue factors by means of marine navigation simulators. *CEUR Workshop Proceedings*, 2732, 823–838. URL: <http://ceur-ws.org/Vol-2732/20200823.pdf>
- [19] Shen, H., Hashimoto, H., Matsuda, A. (2019). Automatic collision avoidance of multiple ships based on deep Q-learning. *Applied Ocean Research Journal* 86, pp. 268–288, doi: 10.1016/j.apor.2019.02.020.
- [20] Yishan, L., Zhiqiang, G., Jie, Y. (2018). Prediction of ship collision risk based on CART, *IET Intelligent Transport Systems* 12(10), p. 1345–1350. doi: 10.1049/iet-its.2018.5281.
- [21] Park, J. (2019). COLREGS-compliant path planning considering time-varying trajectory uncertainty of autonomous surface vehicle, *Electronics Letters* 55(4), pp. 222–224. doi: 10.1049/el.2018.6680.
- [22] Sharko, M., Sharko, A. (2016). Innovative aspects of management of development of enterprises of regional tourism. *Actual Probl. Econ.* 7(181), 206–213.
- [23] Tu, E., Zhang, G., Rachmawati, L. (2016). Exploiting AIS data for intelligent maritime navigation: a comprehensive survey, *IEEE Transactions on intelligent transportation system* 19(5), pp. 99. doi: 10.1109/TITS.2017.2724551.
- [24] Smeaton, G., Coenen, F. (1990). Developing an intelligent marine navigation system, *Computing & Control Engineering Journal* 1(2), pp. 95–103, doi: 10.1049/cce:19900024.
- [25] Huang, Y., Chen, L., Gelder, P. (2019). Generalized velocity obstacle algorithm for preventing ship collisions at sea”, *Ocean Engineering Journal* 173, pp. 142–156. doi: 10.1016/j.oceaneng.2018.12.053.
- [26] Johansen, T., Cristoforo, A., Perez, T. (2016). Ship Collision Avoidance Using Scenario-Based Model Predictive Control, *IFAC*. URL: <https://pdfs.semanticscholar.org/34a3/c1a0b699774fadab417ca2f5ef422edb1f0b.pdf>.
- [27] Blaich, M., Kohler, S., Reuter, J. (2015). Probabilistic Collision Avoidance for Vessels, *IFAC – Papers OnLine* 48(16), pp. 69–74. doi: 10.1016/j.ifacol.2015.10.260.
- [28] Sharko, M., Gusarina, N., Burenko, J. (2017). Modeling of management of the information potential of complex economic systems under conditions of risk. *Technol Audit Prod Reserves* 34:14–19. URL: <https://doi.org/10.15587/2312-8372.2017.98275>
- [29] Sharko, M., Lopushynskiy, I., Petrusenko, N., Zaitseva, O., Kliutsevskiy, V., Yarchenko, Y. (2020). Management of tourists’ enterprises adaptation strategies for identifying and predicting multidimensional non-stationary data flows in the face of uncertainties. *Advances in Intelligent Systems and Computing*, 135–151. URL: <https://doi.org/10.1007/978-3-030-54215-3>
- [30] Shatto, Jr. (1988). Vessel wave heading control apparatus. Patent US No 4,769,773, Issued Sep. 6th., 1988.
- [31] Akmaykin, D., Khomenko, D. (2011). Use of ships radar for improvement of navigation in rough sea condition”, in: *Proceedings of the 2011 International Siberian Conference on Control and Communications (SIBCON’2011)*, Krasnoyarsk, Sept. 15–16. doi: 10.1109/SIBCON.2011.6072616.
- [32] France, W., Levadou, M., Treakle, T., Paulling, J., Michel, R., Moore, C. (2003). An investigation of head-sea parametric rolling and its influence on container lashing systems, *Marine Technology* 40(1), pp. 1–19. doi: 10.5957/mtl.2003.40.1.1.
- [33] Korolyova, S., Marchuk, Yu. (2017). The concept of storm and its influence on the navigation, *Profmarket: Education. Language. Success*, Sevastopol State University, 27 March, pp. 195–196.
- [34] Demetriou, G., Ioannou, S., Hadjipieri, A., Panayidou, I., Papasavva, A., Savva, A. (2016). A flexible autonomous surface vessel, in: *Proceedings of the 24th Mediterranean Conference on Control and Automation (MED’2016)*, 21–24 June. doi: 10.1109/MED.2016.7535980.
- [35] Jinnan Li, Haibin Duan. (2015). Simplified brain storm optimization approach to control parameter optimization in F/A-18 automatic carrier landing system, *Aerospace Science and Technology* 42, pp. 187–195. doi: 10.1016/j.ast.2015.01.017.
- [36] Ershov, A., Solnov, S., Boyarinov, A., (2018). Diagram for determining dangerous zones when sailing in heavy weather, *Bulletin of the Astrakhan State Technical University. Series: Marine Engineering and Technology* 2. doi: 10.24143/2073-1574-2018-2-22-27.
- [37] Eremenko, A., Zhukov, Y. (2016). Smart onboard seafaring safety assurance system, *Electrical and computer systems* 22(98), pp. 293–300.
- [38] Ershov, A., Buklis, P. (2018). Ways to increase speed and save fuel tanker in storm conditions, *Bulletin of the State Maritime and River Fleet University named after Admiral S.O. Makarov* 10 (6), pp. 1122–1131. doi: 10.21821/2309-5180-2018-10-6-1122-1131.
- [39] Pipchenko, O. (2011). On the Method of Ship’s Transoceanic Route Planning, *International Journal on Marine Navigation and Safety of Sea Transportation* 5(3).
- [40] Dubrovskiy, V. Complex comparison of seakeeping: method and example, *Mar Technol SNAME* 37(04), pp. 223–229. doi:10.5957/mtl.2000.37.4.223.
- [41] Zhukov, Yu., Gordeev, B., Zivenko, A., Nakonechny, A. (2015). Polymetric Sensing in Intelligent Systems. *Advances in Intelligent Robotics and Collaborative Automation. J. Duro. P.* 211–234.
- [42] OCTOPUS-Onboard. Ship Motions Monitoring and Advisory System. Access Mode: URL: <http://new.abb.com/marine/systems-and-solutions/automation-and-advisory/advisory>
- [43] Monostori, L., Vancza, J. Kumara, S. (2006) Agent-Based Systems for manufacturing, *Annals of the CIRP*, no. 55.
- [44] Colombo, A., Neubert, R., & Schoop, R. (2001). A solution to holonic control systems. *ETFA 2001. 8th International Conference on Emerging Technologies and Factory Automation. Proceedings (Cat. No.01TH8597)*, 2, vol. 2. 489–498
- [45] Tzafestas, S. (1997). *Modern Manufacturing Systems: An Information Technology Perspective*.
- [46] Tzafestas, S. (2010). *Supervisory and Distributed Control in Automation*.
- [47] Girtler, J. (2017). Determination of probabilities defining safety of a sea-going ship during performance of a transportation task in stormy weather conditions. *Journal of Polish CIMAC*, 12, 21–30.
- [48] Girtler, J. (1999). Complex formulation of the availability of sea transport means. *Polish Maritime Research*, 06, 21–26.
- [49] Navi-Trainer Professional 5000 (version 5.35). Instructor manual, Transas MIP LTD. (2014).
- [50] Navi-Trainer Professional 5000 (version 5.35). Navigation Bridge, Transas MIP LTD. (2014).